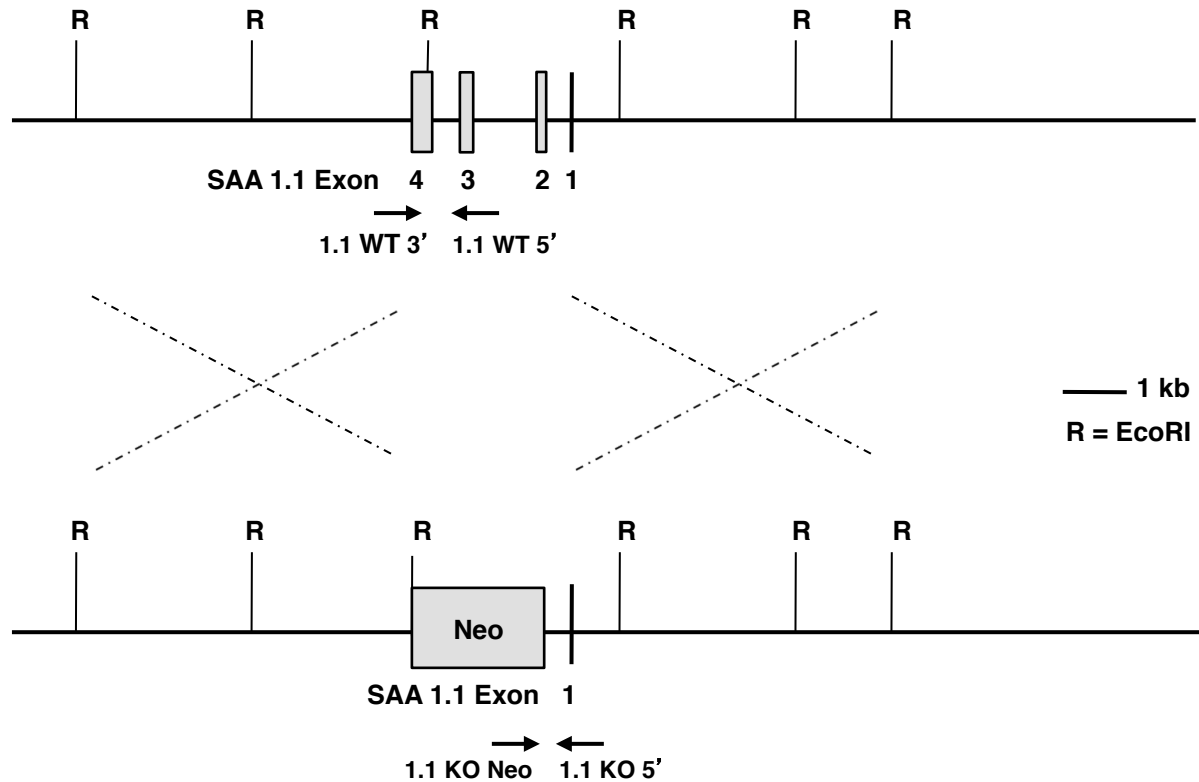
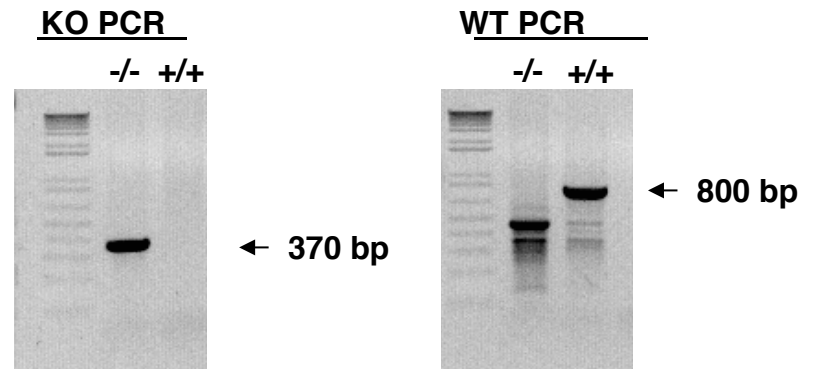


Supplemental figure IA

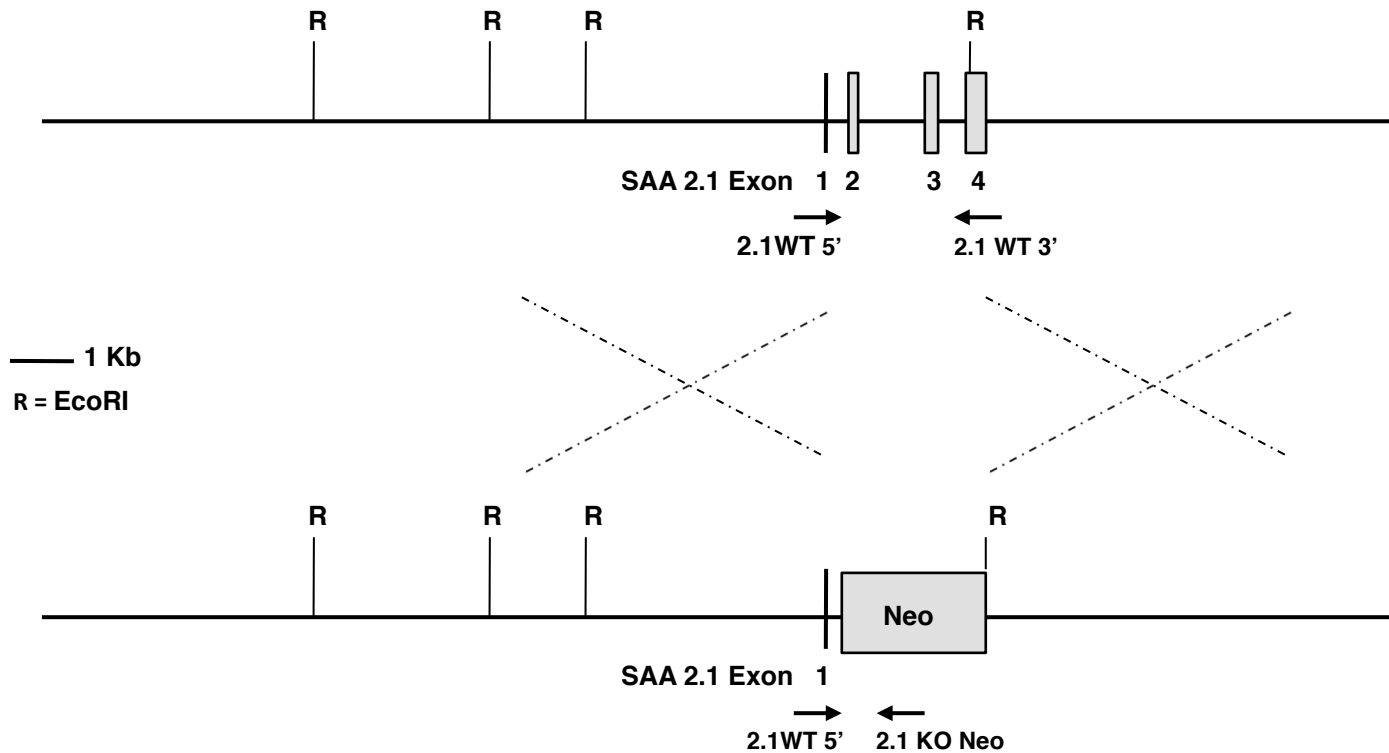


WT Primers: 1.1 WT 5' = TGG CTG GAA AGA TGG
 1.1 WT 3' = CTG CTC GAG TAA CTC CA
 KO Primers: 1.1 KO 5' = GCT CAG CAT AAA TGC CTG
 1.1 KO Neo = TAA TAC GCG TGG ACA CTT AAG

Supplemental Fig. IA: Targeting constructs for generation of *SAA1.1*KO mice The genomic organization and orientation of the *SAA1.1* gene is depicted. Exons 2 to 4 were replaced with a neomycin resistance gene cassette to produce the respective *SAA* deficient construct. *EcoRI* restriction sites are shown (R), as well as the location and direction of the PCR primers used for screening (arrows). Primer sequences and PCR banding patterns are presented in gel inset.



Supplemental figure IB



Primers:

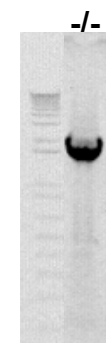
2.1WT 5' = TTG AAG CTC TGG GAA GAC ACT C

2.1 WT 3' = AAT CGT GTG CAC TGA CCA GTT C

2.1 KO Neo = TGC GAG GCC AGA GGC CAG TTG TGT AGC

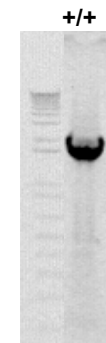
Supplemental Fig. IB: Targeting constructs for generation of SAA2.1KO mice The genomic organization and orientation of the *SAA2.1* gene is depicted. Exons 2 to 4 were replaced with a neomycin resistance gene cassette to produce the respective SAA deficient construct. *EcoRI* restriction sites are shown (R), as well as the location and direction of the PCR primers used for screening (arrows). Primer sequences and PCR banding patterns are presented in gel inset.

KO PCR



← 2.2 Kb

WT PCR



← 2.2 Kb