

1996

Vendors of Shade Cloth, Cooling Equipment and Geotextile Fabric

Larry W. Turner
University of Kentucky

Follow this and additional works at: https://uknowledge.uky.edu/aeu_reports



Part of the [Bioresource and Agricultural Engineering Commons](#)

[Right click to open a feedback form in a new tab to let us know how this document benefits you.](#)

Repository Citation

Turner, Larry W., "Vendors of Shade Cloth, Cooling Equipment and Geotextile Fabric" (1996). *Agricultural Engineering Extension Updates*. 13.

https://uknowledge.uky.edu/aeu_reports/13

This Report is brought to you for free and open access by the Biosystems and Agricultural Engineering at UKnowledge. It has been accepted for inclusion in Agricultural Engineering Extension Updates by an authorized administrator of UKnowledge. For more information, please contact UKnowledge@lsv.uky.edu.



VENDORS OF SHADE CLOTH, COOLING EQUIPMENT AND GEOTEXTILE FABRIC

Shade Cloth Vendors

Donovan Enterprises
2951 SE Dominica Terrace
Stuart FL 33497
813-763-0392

DAL Processing Inc
1114 North King Street
Pearson GA 31642
912-422-3118

Circle B Agriculture Products
Gene Berbaum
2540 Foothill Drive
Vista CA 92084
619-726-6947 or 800-776-6947
FAX 619-726-4852

Kentucky Garden Supply
731 Red Mile Rd.
Lexington, KY
606-254-1355
Custom fabricated 80%

Fan Types and Vendors

Can be purchased from many farm supply or poultry supply houses; some also have fog or sprinkling nozzles.

Fan types:

Direct Drive, most expensive, less maintenance

Belt Driven, least expensive, more maintenance

Either type will work, some fans are 2-3 times more expensive than others, so shop around.

Circulation fans: typical sizes, 36 and 48 inch; 10,000 to 20,000 cfm units.

Design for 200-400 cfm per cow; 800+ cfm per cow in holding area

Fan vendors:

Chore-Time
PO Box 2000
Milrod IA 46542-2000
219-658-4101

Patterson Fan Co
408 North Springs Road
Columbia SC 29223
803-699-0784

Berb Equipment Co
2700 West Arnold Street
PO Box 507
Marshfield WI 54449
715-384-2151

HLY Enterprises Inc
Henry Younce
PO Box 7051
Winter Haven FL 33880
813-324-3714 (complete systems)

Hartzall Fan Co
PO Box 919
Piqua OH 45356
513-773-7411

Schaefer Fan Co Inc
St Cloud Minn
800-779-FANS (Sold by Life Services)
800-342-5231

American Dairy Services
308 Lebanon Hill
Springfield, KY 40069
606-336-7520; FAX 336-0892
Contact: Steve Smith

Circle B Agriculture Products
Gene Berbaum
2540 Foothill Drive
Vista CA 92084
619-726-6947 or 800-776-6947
FAX 619-726-4852

AAA Associates, Inc.
1445 S. Third
Niles, MI 49120
616/684-4073

Butler Mfg. Co.
7400 East 13th Street
Kansas City, MO 64126
816/968-3000

Fan/tube systems: 150-200 cfm/cow

Acme Eng. & Mfg. Corp.
P.O. Box 978
Muskogee, OK 74402
918-682-7791

American Coolair Corporation
Christenberry Sales Company
6015 Crestview Avenue
Indianapolis, IN 46220
317-255-2710

Aerovent Fan & Equipment Inc
929 Terminal Road
Lansing MI 48906
517-323-2390

Chore-Time Equipment Inc
State Road 15 North
Milford IN 46542
217-658-4101

Raydot Inc
145 Jackson Avenue
Cakato MN 55321
612-286-2103

American Coolair Corporation
Christenberry Sales Company
6015 Crestview Avenue
Indianapolis, IN 46220
317-255-2710

Clay Equipment Corporation
500 River Drive
Cedar Falls, IA 50613

Stockyard Farm & Dairy Supply, Inc.
124 S. Johnson St.
Louisville, KY 40206
502-583-0204
Attn: Gordon Jones

The Farm Store, Inc.
4180 Caledonia Rd.
Cadiz, KY 42211
502-522-6732

Vendors of Hardware/Equipment for Sprinkler and Fan Cooling Systems (Direct Wetting)

Nozzles:

Choose nozzles to deliver large droplet size; solid cone or 180° spray pattern; 0.5-0.7 gpm at 10-25 psi.

Mr. Mike Ryan
Ryans Agri and Pest
537 Angliana Ave.
Lexington, KY 40508
606-233-0057

or

Other chemical spray
systems dealers (See AEU-36)

B&R Spraying Systems
2073 Lakeside Dr.
Lexington, KY 40502
606-269-1947

Irrigation Supply Co.
926 Baxter Ave., Box 4545
Louisville, KY 40204
502-583-6591

Dixie Irrigation
4045 McCollum Ct.
Louisville, KY 40218
502-633-5981

Kentucky Irrigation Co.
629A E. Third St.
Lexington, KY 40505
606-254-7022

Senninger Irrigation, Inc (Mike Saliwanchik)
6416 Old Winter Garden
Orlando FL 32835
407-293-5555

Modern Irrigation Systems, Inc.
4511 Illinois Ave.
Louisville, KY 40213
502-459-3326

Also, Rainbird, Hunter, etc.

Complete Sprinkler Cooling Systems (not including fans)

NOTE: These systems use relatively small nozzles as compared to the type used in Florida, but have both been shown to be effective in Kentucky.

Suppliers of complete units, except fans, (pipes, integrated solenoid valves and thermostats, connectors) include the following:

Edstrom Micro-cool Systems
819 Bakke Avenue
Waterford WI 53185
800-558-5913
414-534-5181
contact: Bill Edstrom

Meter-Man Inc
Box 746
2 South Main St
Winnebago MN 56098
800-338-5756
507-893-4806

FarmTek, Inc.
RR2 Box 17
Hoptkinton, IA
800-327-6835
(controller panel with solenoid, timer and thermostat)

Complete Sprinkler Cooling Systems (With fans; Florida design, high flow rate)

Patterson Fan Company (PFC)
408 N Springs Road
Columbia, SC 29223
Phone: 1-803-699-0784
1-803-736-3341
Contact: G.V. "Pat" Patterson

R&C Sales and Manuf. Inc
Bob Atkins
3555 Agriculture Center Drive
St. Augustine FL 32093
800-345-7930
FAX 904-824-2332

High Pressure Fog System Vendors (160-200 psi)

- can sell part or all of the system

Circle B Agriculture Products
Attn: Gene Berbaum
2540 Foothill Dr.
Vista CA 92084
619-726-6947
1.5 hp. pump, high pressure. approx. \$750

Korral Kool Inc.
564 East Juanita Unit 6
Mesa AZ 85204
602-892-6401
FAX 602-892-8124

R&C Sales and Manuf. Inc
Bob Atkins
3555 Agriculture Center Drive
St. Augustine FL 32093
800-345-7930
FAX 904-824-2332

Dairy Cool Inc.
3555 Agricultural Center Drive
St. Augustine, FL 32092
1-800-345-7930 or 904-824-2223
FAX 904-824-2332

Pump Vendors for High Pressure Misting/Fog Systems (160-200 psi)

Chase Pump and Equipment Co.
Henderson, KY
Contact: Howard Chase
502-826-8713
4-5 gpm, 280 ft. of head
40 psi inlet, 160-200 psi outlet
MTH peripheral turbine pump
5 gpm; 3/4 hp single phase, 230 V. Motor
\$415, 2 week delivery

Fluid Systems Inc.
Attn: Scott Deutsch
Evansville, IN 812-428-7060
2 hp, 3450 rpm single phase elec. motor, 3
gpm
@ up to 1200 psi (high pressure wash pump)

Circle B Agriculture Products
Attn: Gene Berbaum
2540 Foothill Dr.
Vista CA 92084
619-726-6947
1.5 hp. pump, high pressure. approx. \$750

FarmTek, Inc.
RR2 Box 17
Hoptkinton, IA
800-327-6835
3/4 hp, single phase elec. motor booster pump

Geotextile Underlayment Material

Am Con Construction Products
Box 1516
Somerset, KY 42502
800-866-0369

C&P Supply
P.O. Box 376
Allen, KY 41601
606-874-8052
FAX 606-874-2310
(distributor for Am Con)

American Excelsior Co.
415 W. Seymour Ave.
Cincinnati, OH 45216
513-761-7384
800-325-2135

Carthage Mills
4243 Hunt Road
Cincinnati, OH
513-794-1600
FAX 513-794-3434
800-543-4430

Cow Carpet
303-305 W Green Road
P.O. Box 1756
High Point NC 27260
910-883-6624

Kent Doke
K D Farms Inc
Route 1 Box 34
Alachua FL 32615
904-462-1466

Reemay, Inc. (Tygar)
70 Old Hickory Blvd Box 511
Old Hickory TN 37138
800-321-6271

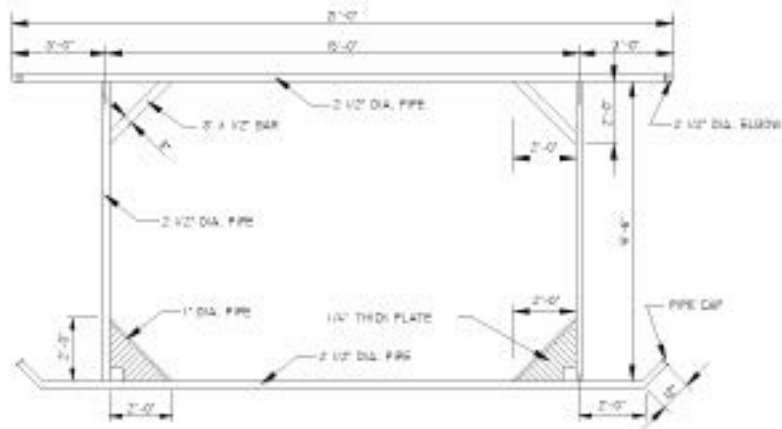
TR Polymats Inc
2263 Hoxie Road
Mannsville NY 23661
800-633-3661

Tensar Polytechnologies Inc
1210 Citizens Pkwy
Morrow GA 30260
800-292-4457

The above partial list of manufacturers and suppliers is furnished for your information, with the understanding that no discrimination is intended and no gurarentee of reliability implied.

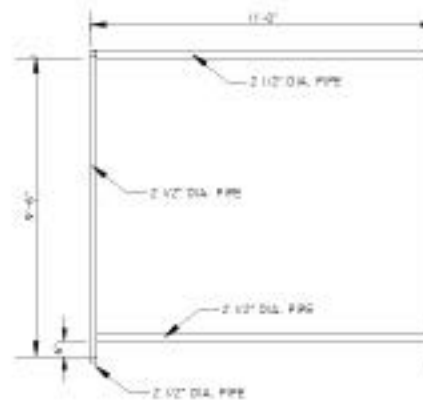
Compiled by Dr. Larry W. Turner, Extension Ag. Engineer, Rm. 128 Agricultural Engineering Building,
University of Kentucky, Lexington, KY 40546-0276. 5/96

file: dairy\coolsorc.wpd



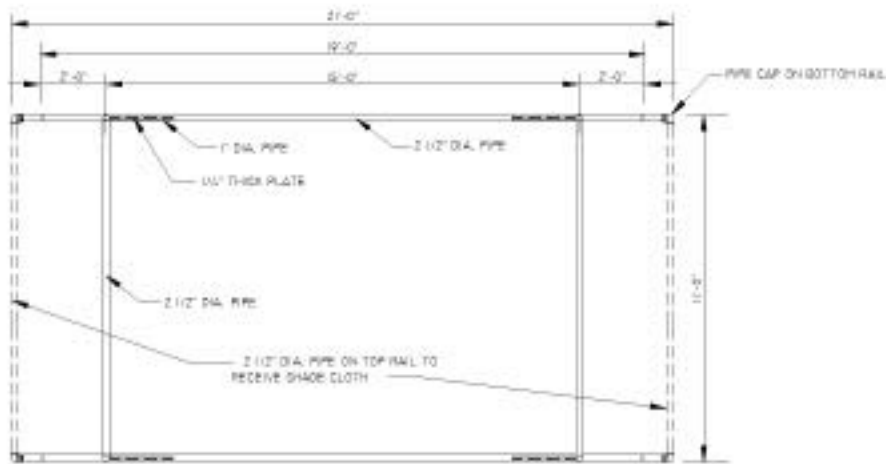
SIDE VIEW

SCALE: 3/8"=1'-0"



FRONT VIEW

SCALE: 3/8"=1'-0"



PLAN VIEW

SCALE: 3/8"=1'-0"



PERSPECTIVE VIEW

NOTES:

1. VERTICAL & LOWER HORIZONTAL 2 1/2" PIPE ENDS PLATTENED
2. 1/4" PLATE TO PREVENT CORN LEGS FROM SETTING CAUGHT UNDER PIPE PLUS MORE STABILITY
3. OVERALL ROOF LENGTH MAY VARY ACCORDING TO WIND POSITIONING
4. PIPE ELBOWS & END CAPS ARE SERVICED ON
5. ATTACH 10' x 20' 80% SHADE CLOTH TO FRAME, WRAPPING ATTACHMENT CORN IN SPIRAL PATTERN

COOPERATIVE EXTENSION SERVICE
 AGRICULTURE AND HOME ECONOMICS
 DEPARTMENT OF AGRICULTURAL ENGINEERING
 COLLEGE OF AGRICULTURE
 UNIVERSITY OF KENTUCKY
 AND
 U.S. DEPARTMENT OF AGRICULTURE, COOPERATING

CATTLE SHADE

Design by: J.T.

PLAN NO. KY. 8,772-16

Checked by: J.F.

Drawn by: J.E.M.

Date: 3/27/56

SHEET 1 OF 1

Shade for Grazing Cattle
Pipe Structure Materials List

by
Terry Hutchens

Black Pipe Option*			
Quantity	Item	Estimated Cost	
		\$ Unit	\$ Total
6	2.5", 21' black pipe	55	330
4	2.5", weld-in elbow	5	20
4	2.5", weld-in 45 joint	5	20
4	2.5", weld-in pipe cap	5	20
4	1.0", pipe with .25" plate	7	28
	TOTAL		418
*Black pipe requires painting for rust prevention.			
Sources: Harbor Steel & Supply Corporation 1115 Delaware Avenue Lexington, KY 40505 Phone: (606) 255-7884 (800) 766-4113			
Brock McVey Company 1100 Brock McVey Drive Lexington, KY 40509 Phone: (606) 255-1412			
Galvanized Option			
Quantity	Item	\$ Unit	\$ Total
6	2" x 4' SS20 pipe	7	56
6	2.5" x 10.6' SS40 pipe	21	126
2	2.5" x 21' SS40 pipe	42	84
3	2.0" x 21' SS40 pipe	30	90
1	Shade cloth 63% 10' x 20'	49	49
1	"Drop off charge	50	50
	SUB-TOTAL		455
	TAX		28
	TOTAL		483
1	Prefabricated TOTAL		649
Source: Stephens Pipe & Steel Inc. P.O. Box 818/ HWY 619 Russell Springs, KY 42642 Phone: (502) 866-3331 (800) 451-2612			
The partial list of manufacturers and dealers is furnished for your information, with the understanding that no discrimination is intended and no guarantee of reliability implied.			